

Job Name:

System Reference:

Date:

Indoor Unit:

PVA-A30AA7

Outdoor Unit:

 PUZ-A30NHA7 PUZ-A30NHA7-BS**INDOOR UNIT FEATURES**

- Ducted air handler provides a solution to cool and heat large zones
- Highly efficient totally enclosed ECM motor
- Selectable external static pressure: 0.30, 0.50 and 0.80 in.WG with 3 fan speeds at each static setting
- 1 inch R4.2 fiberglass free insulation reduces condensation and boosts efficiency
- Positive pressure cabinet with air leakage of less than 1.0% at 1.0 in. w.g.
- Unique blow through design allows simple coil cleaning when the blower is removed
- Multi-position installation: horizontal (left or right), vertical (up or down). For downflow configurations, the CMA-1 is recommended for proper management of condensate to prevent water blow-off in certain conditions
- Optional electric heat kit for additional heat capacity
- Optional humidifier control and ERV control

OUTDOOR UNIT FEATURES

- Variable speed INVERTER-driven compressor
- Suction accumulator pre-charged with refrigerant volume for piping length up to 100 ft (70 ft. for A12/18/24/30)
- 24-hour continuous operation (cooling mode)
- High pressure protection
- Fast restart due to bypass valve make it ideal for equipment cooling applications, such as data centers
- Superior energy and operational efficiency

SPECIFICATIONS: PVA-A30AA7 & PUZ-A30NHA7(-BS)

| Model number | Indoor unit | | PVA-A30AA7 |
|---------------------|------------------------------------------|---------|----------------------------|
| | Outdoor unit | | PUZ-A30NHA7 |
| | | | PUZ-A30NHA7-BS |
| Cooling*1 | Maximum Capacity | Btu/h | 30,000 |
| | Rated Capacity | Btu/h | 30,000 |
| | Minimum Capacity | Btu/h | 10,000 |
| | Maximum Power Input | W | 3,000 |
| | Rated Power Input | W | 3,000 |
| | Moisture Removal | Pints/h | 5.40 |
| | Sensible Heat Factor | | 0.74 |
| | Power factor | % | 93.20 |
| Heating at 47° F*2 | Maximum Capacity | Btu/h | 34,000 |
| | Rated Capacity | Btu/h | 32,000 |
| | Minimum Capacity | Btu/h | 12,000 |
| | Maximum Power Input | W | 2,820 |
| | Rated Power Input | W | 2,640 |
| | Power factor | % | 96.80 |
| Heating at 17° F *3 | Maximum Capacity | Btu/h | 20,700 |
| | Rated Capacity | Btu/h | 18,000 |
| | Maximum Power Input | W | 2,230 |
| | Rated Power Input | W | 2,110 |
| Efficiency | SEER | | 19.00 |
| | EER *1 | | 10.00 |
| | HSPF (IV) | | 10.00 |
| | COP at 47° F *2 | | 3.55 |
| | COP at 17° F *3 | | 2.50 |
| Electrical | Voltage, Phase, Frequency | | 208 / 230V, 1-phase, 60 Hz |
| | Guaranteed Voltage Range | V AC | 187 - 253 |
| | Voltage: Indoor - Outdoor, S1-S2 | V AC | 208V / 230 |
| | Voltage: Indoor - Outdoor, S2-S3 | V DC | 24 |
| | Voltage: Indoor - Remote controller | V DC | 12 |
| | Recommended Fuse/Breaker Size | A | 25 |
| | Recommended Wire Size (Indoor - Outdoor) | AWG | 14 |
| Indoor unit | MCA | A | 4.13 |
| | Fan Motor Full Load Amperage | A | 3.30 |
| | Fan Motor Output | W | 244 |

SPECIFICATIONS: PVA-A30AA7 & PUZ-A30NHA7(-BS)

| Model number | Indoor unit | | PVA-A30AA7 |
|-----------------------------------------|---------------------------------------------|-------------|---------------------------------------------------|
| | Outdoor unit | | PUZ-A30NHA7 |
| | | | PUZ-A30NHA7-BS |
| | Airflow Rate, Dry | CFM | 613-744-875 |
| | Airflow Rate, Wet | CFM | n/a |
| | External Static Pressure | in.WG | 0.30-0.50-0.80 |
| | Sound Pressure Level | dB(A) | 30-34-38 |
| | Drain Pipe Size | In. (mm) | 3/4 FPT (19.05) |
| | Condensate Lift Mechanism, Max. Distance | In. (mm) | n/a |
| | Heat Exchanger Type | | Plate fin coil |
| | External Finish Color | | Galvanized steel cabinet-Powder coated Slate Gray |
| | Unit Dimensions // Grille Dimensions | W: In. (mm) | 21 (534) |
| | | D: In. (mm) | 21-5/8 (548) |
| | | H: In. (mm) | 54-1/4 (1378) |
| | Unit Weight | Lbs. (kg) | 64 (141) |
| Indoor unit operating temperature range | Cooling Intake Air Temp (Maximum / Minimum) | °F | 90 DB, 73 WB / 66 DB, 59 WB |
| | Heating Intake Air Temp (Maximum / Minimum) | °F | 82 DB / 50 DB |
| Outdoor unit | MCA | A | 19 |
| | MOCP | A | 26 |
| | Fan Motor Full Load Amperage | A | 0.40 |
| | Fan Motor Output | W | 86 |
| | Airflow Rate | CFM | 1,940 |
| | Refrigerant Control | | Electronic Expansion Valve |
| | Defrost Method | | Reverse Cycle |
| | Heat Exchanger Type | | Cross fin |
| | Sound Pressure Level, Cooling*1 | dB(A) | 47 |
| | Sound Pressure Level, Heating*2 | dB(A) | 48 |
| | Compressor Type | | INVERTER-driven twin rotary |
| | Compressor Model | | SNB172FWHM1 |
| | Compressor Rated Load Amps | A | 7 |
| | Compressor Locked Rotor Amps | A | 11 |
| | Compressor Oil Type // Charge | oz. | FV50S // 23 |
| | External Finish Color | | Ivory Munsell 3Y 7.8/1.1 |
| | Base pan heater | | n/a |

SPECIFICATIONS: PVA-A30AA7 & PUZ-A30NHA7(-BS)

| Model number | Indoor unit | | PVA-A30AA7 |
|------------------------------------------|---------------------------------------------|-------------|-----------------------------|
| | Outdoor unit | | PUZ-A30NHA7 |
| | | | PUZ-A30NHA7-BS |
| | Unit Dimensions | W: In. (mm) | 37-13/32 (950) |
| | | D: In. (mm) | 13 + 1-3/16 (330 + 30) |
| | | H: In. (mm) | 37-1/8 (943) |
| | Package Dimensions | W: In. | 40-15/16 |
| | | D: In. | 17-11/16 |
| | | H: In. | 40-11/16 |
| | Unit Weight | Lbs. (kg) | 153 (69) |
| Package Weight | Lbs. (kg) | 112 (51) | |
| Outdoor unit operating temperature range | Cooling Intake Air Temp (Maximum / Minimum) | °F | 115 DB / 0* DB |
| | Heating Intake Air Temp (Maximum / Minimum) | °F | 70 DB, 59 WB / -4 DB, -4 WB |
| | Thermal Lock-out / Re-start Temperatures** | °F | -8 / -4 DB |
| Refrigerant | Type | | R410A |
| | Charge | Lbs, oz | 7 lbs, 11 oz |
| Piping | Gas Pipe Size O.D. (Flared) | In.(mm) | 5/8 (15.88) |
| | Liquid Pipe Size O.D. (Flared) | In.(mm) | 3/8 (9.52) |
| | Maximum Piping Length | Ft. (m) | 165 (50) |
| | Maximum Height Difference | Ft. (m) | 100 (30) |
| | Maximum Number of Bends | | 15 |

| | | | |
|------------------------------------------------------------------------------|----------------------------------------|----|--------------------------------------|
| AHRI Rated Conditions (Rated data is determined at a fixed compressor speed) | *1 Cooling (Indoor // Outdoor) | °F | 80°F DB, 67°F WB // 95°F DB, 75°F WB |
| | *2 Heating at 47°F (Indoor // Outdoor) | °F | 70°F DB, 60°F WB // 47°F DB, 43°F WB |
| | *3 Heating at 17°F (Indoor // Outdoor) | °F | 70°F DB, 60°F WB // 17°F DB, 15°F WB |
| Conditions | *4 Heating at 5°F (Indoor // Outdoor) | °F | 70°F DB, 60°F WB // -4°F DB, -5°F WB |

Notes

*Wind baffles required to operate below 23°F DB in cooling mode. PUZ with wind baffle: 0°F - 115°F.

**System cuts out in heating mode to avoid thermistor error and automatically restarts at these temperatures

SEACOAST PROTECTION

External Outer Panel: Phosphate coating + Acrylic-Enamel coating

Fan Motor Support: Epoxy resin coating (at edge face)

Separator Assembly; Valve Bed: Epoxy resin coating (at edge face)

SPECIFICATIONS: PVA-A30AA7 & PUZ-A30NHA7(-BS)

“Blue Fin” treatment is an anti-corrosion treatment that is applied to the condenser coil to protect it against airborne contaminants.

Notes:

ACCESSORIES: PVA-A30AA7 & PUZ-A30NHA7(-BS)

| PVA-A30AA7 | |
|---------------------------------------------------------------------------------------------|------------------------------------------------------|
| 3-Pole Disconnect Switch (30A/600V/UL) [fits 2" X 4" utility box] | <input type="checkbox"/> TAZ-MS303 |
| Drain Pan Level Sensor (Control for indoor unit shut off to prevent drain pan overflow) | <input type="checkbox"/> DPLS2 |
| Advanced Blue Diamond Mini-Condensation pump w/ Reservoir & Sensor (110V) | <input type="checkbox"/> X87-711 - 110 |
| Advanced Blue Diamond Mini-Condensation pump w/ Reservoir & Sensor (208/230V) | <input type="checkbox"/> X87-721 - 208/230 |
| Extension Cord for Blue Diamond Pump | <input type="checkbox"/> C13-103 |
| MegaBlue Blue Diamond Condensate Pump (110-230V) | <input type="checkbox"/> X87-835 |
| Remote Sensor (extensible) | <input type="checkbox"/> PAC-SE41TS-E |
| Connector Cable for Remote Display | <input type="checkbox"/> PAC-SA88HA-EP |
| | <input type="checkbox"/> PAC-725AD-E(10pcs) |
| Connector for CN32 (remote on/off) | <input type="checkbox"/> PAC-SE55RA-E |
| Connector for CN24 (Back up heating) | <input type="checkbox"/> PAC-SE56RA-E |
| Connector for CN30 (LLC) | <input type="checkbox"/> PAC-SE57RA-E |
| Remote Operation Adapter (with wire terminals for remote ON/OFF and operation status/error) | <input type="checkbox"/> PAC-SF40RM-E ^{*1} |
| External fan / Heater control relay adapter | <input type="checkbox"/> CN24RELAY-KIT-CM3 |
| Backlit, wall-mounted, wireless | <input type="checkbox"/> MHK1 |
| Wireless adapter | <input type="checkbox"/> PAC-USWHS002-WF-1 |
| BACnet® and Modbus Interface | <input type="checkbox"/> PAC-UKPRC001-CN-1 |
| Wall-mounted, Wired | <input type="checkbox"/> PAC-YT53CRAU-J |
| Wired remote controller | <input type="checkbox"/> PAR-32MAA-J |
| T-STAT Interface | <input type="checkbox"/> PAC-US444CN-1 ^{*2} |
| Wired remote controller | <input type="checkbox"/> PAR-32MAA |
| Signal Receiver | <input type="checkbox"/> PAR-SA9CA-E |
| Wireless Remote Controller | <input type="checkbox"/> PAR-FL32MA-E |
| Wireless Signal Receiver | <input type="checkbox"/> PAR-FA32MA-E |
| Wire for Remote ON/OFF with CN32 connector | <input type="checkbox"/> PAC-715AD |
| Lockdown Bracket for wireless, hand-held, remote controllers | <input type="checkbox"/> RCMKP1CB |

^{*1} Unable to use with wireless remote controller

^{*2} Unable to use with the electric heat time delay

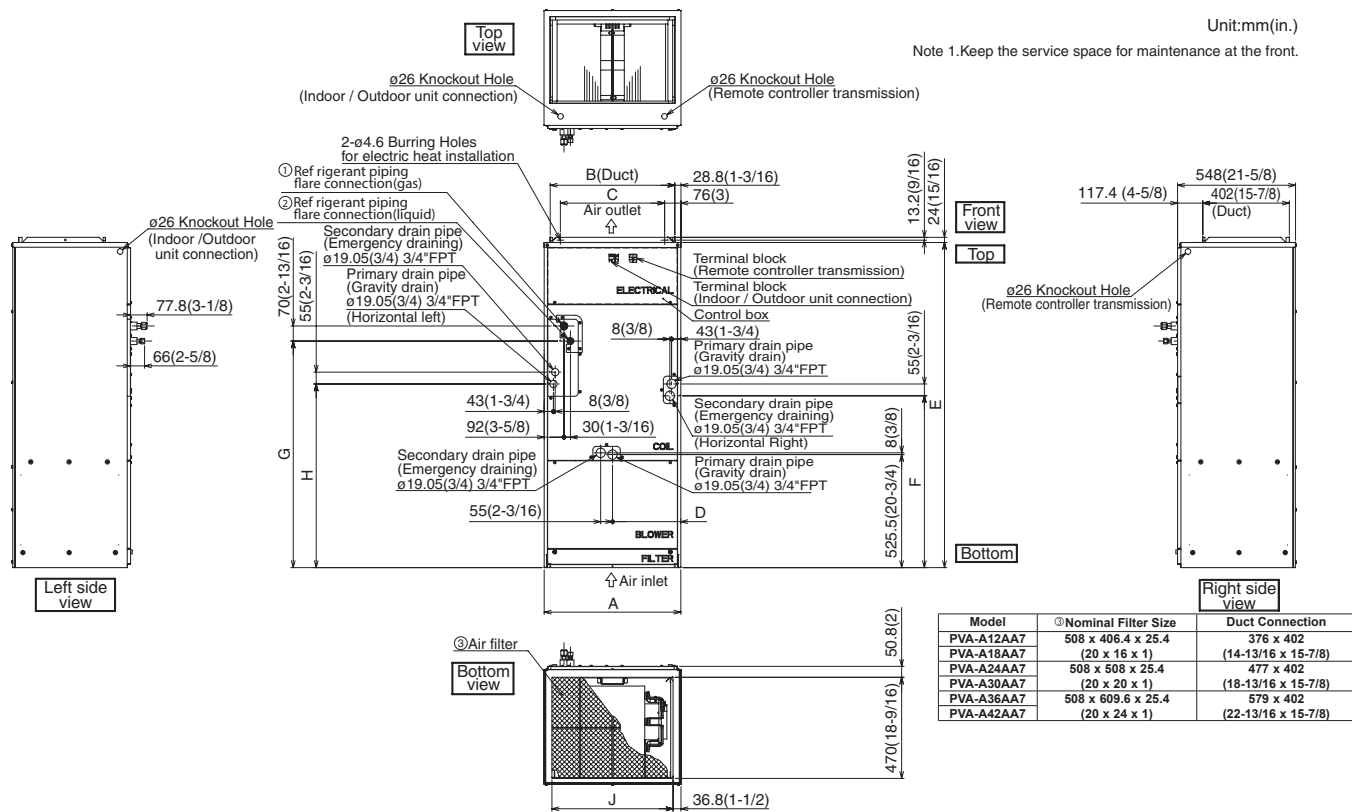
| PUZ-A30NHA7(-BS) | |
|-----------------------|---------------------------------------|
| Air Outlet Guide | <input type="checkbox"/> PAC-SG59SG-E |
| Front Wind Baffle | <input type="checkbox"/> WB-PA5 |
| Drain socket | <input type="checkbox"/> PAC-SG61DS-E |
| Centralized Drain Pan | <input type="checkbox"/> PAC-SG64DP-E |
| M-NET Converter | <input type="checkbox"/> PAC-SF83MA-E |

ACCESSORIES: PVA-A30AA7 & PUZ-A30NHA7(-BS)

| PUZ-A30NHA7(-BS) | |
|--------------------------------------------------------|------------------------------------------|
| Control/Service Tool | <input type="checkbox"/> PAC-SK52ST |
| Wall mounting bracket (Powder-coated Steel) | <input type="checkbox"/> QCWB2000M-1 |
| Wall mounting bracket (316 Series Stainless Steel) | <input type="checkbox"/> QCWBSS |
| M-NET control adapter for Building Management System | <input type="checkbox"/> PAC-SF83MA-E |
| Outdoor Unit Mounting Pad 24" x 42" x 3" | <input type="checkbox"/> ULTRILITE2 |
| Outdoor Unit 3-1/4 inch Mounting Base - Pair (Plastic) | <input type="checkbox"/> DSD-400N |
| MiniSplit Mounting Stand-Single Fan models - 12" | <input type="checkbox"/> QSMS1201M |
| MiniSplit Mounting Stand-Single Fan models - 18" | <input type="checkbox"/> QSMS1801M |
| MiniSplit Mounting Stand-Single Fan models - 24" | <input type="checkbox"/> QSMS2401M |
| 3/8 x 5/8 x 10' / 1/2" Lineset (Twin-Tube Insulation) | <input type="checkbox"/> MPLS385812T-10 |
| 3/8 x 5/8 x 15' / 1/2" Lineset (Twin-Tube Insulation) | <input type="checkbox"/> MPLS385812T-15 |
| 3/8 x 5/8 x 30' / 1/2" Lineset (Twin-Tube Insulation) | <input type="checkbox"/> MPLS385812T-30 |
| 3/8 x 5/8 x 50' / 1/2" Lineset (Twin-Tube Insulation) | <input type="checkbox"/> MPLS385812T-50 |
| 3/8 x 5/8 x 65' / 1/2" Lineset (Twin-Tube Insulation) | <input type="checkbox"/> MPLS385812T-65 |
| 3/8 x 5/8 x 100' / 1/2" Lineset (Twin-Tube Insulation) | <input type="checkbox"/> MPLS385812T-100 |

DIMENSIONS: PVA-A30AA7 & PUZ-A30NHA7 (-BS)

PVA-A30AA7

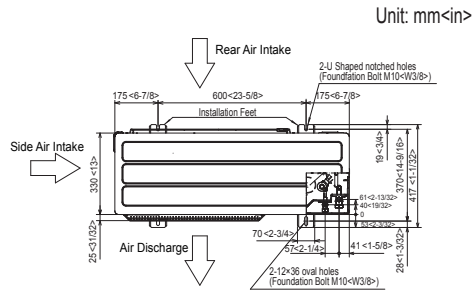
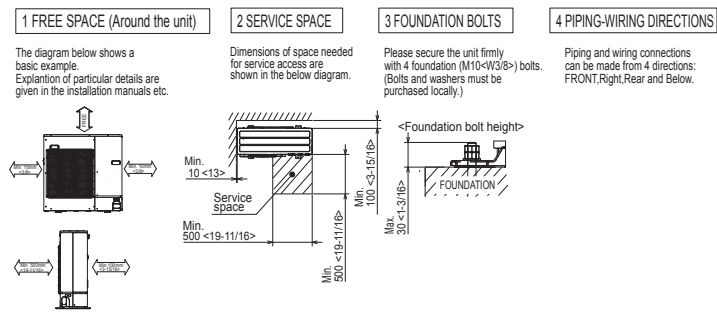


| Model | ①Nominal Filter Size | Duct Connection |
|------------|-------------------------------------|----------------------------------|
| PVA-A12AA7 | 508 x 406.4 x 25.4 (20 x 16 x 1) | 376 x 402 (14-13/16 x 15-7/8) |
| PVA-A18AA7 | 508 x 508 x 25.4 (20 x 20 x 1) | 477 x 402 (18-13/16 x 15-7/8) |
| PVA-A24AA7 | 508 x 609.6 x 25.4 (20 x 24 x 1) | 579 x 402 (22-13/16 x 15-7/8) |

| Model | Unit: mm (in.) | | | | | | | | | | |
|------------|----------------|----------------|----------------|----------------|---------------|-----------------|-----------------|----------------|---------------|--------------------|-------------------|
| | A | B | C | D | E | F | G | H | J | ①Gas Pipe | ②Liquid Pipe |
| PVA-A12AA7 | 432 (17) | 376 (14-13/16) | 281 (11-1/8) | 224 (8-7/8) | 1275 (50-1/4) | 680 (26-13/16) | 823 (32-7/16) | 735.5 (29) | 360 (14-3/16) | Φ 12.7 (1/2) | Φ 6.35 (1/4) |
| PVA-A18AA7 | 534 (21) | 477 (18-13/16) | 382.6 (15-1/8) | 266.5 (10-1/2) | 1378 (54-1/4) | 737 (29-1/16) | 953.5 (37-9/16) | 792 (31-3/16) | 461 (18-3/16) | Φ 15.88 (5/8) | Φ 9.52 (3/8) |
| PVA-A24AA7 | 635 (25) | 579 (22-13/16) | 484.6 (19-1/8) | 317.5 (12-1/2) | 1511 (59-1/2) | 798.5 (31-7/16) | 1053 (41-1/2) | 853.5 (33-5/8) | 563 (22-3/16) | Φ 15.88 (5/8) | Φ 9.52 (3/8) |

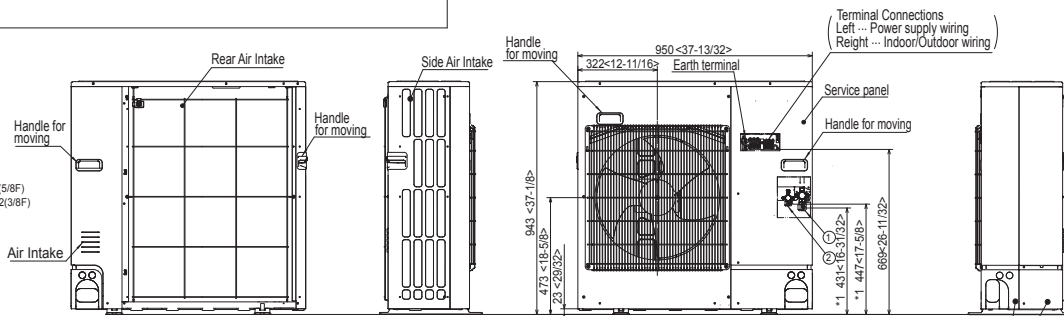
DIMENSIONS: PVA-A30AA7 & PUZ-A30NHA7 (-BS)

PUZ-A30NHA7(-BS)

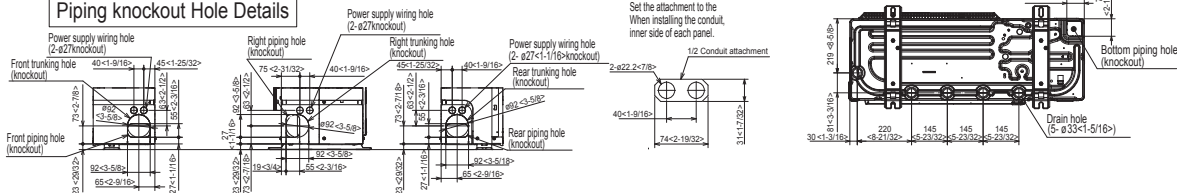


Example of Notes

- ① -- Refrigerant GAS pipe connection (FLARE) ø15.88(5/8F)
- ② -- Refrigerant LIQUID pipe connection (FLARE) ø9.52(3/8F)
- *1 -- Indication of STOP VALVE connection location.



Piping knockout Hole Details



COOLING & HEATING

1340 Satellite Boulevard, Suwanee, GA 30024
Toll Free: 800-433-4822 www.mehvac.com

FORM# PVA-A30AA7 / PUZ-A30NHA7(-BS) - 201702Ver2



Specifications are subject to change without notice.

Copyright © 2017 Mitsubishi Electric US, Inc.